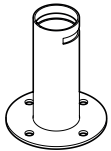


Pole / TabTilt / TabTilt Portrait/Landscape Solutions

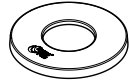
Installation Guide



Parts List

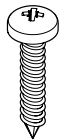


1 x Pole



1 x Flange Cover

Fixing bag for pole

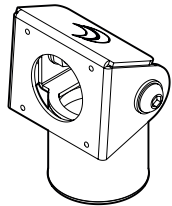


4 x self taper screws



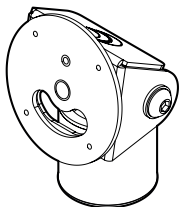
1 x 4mm Hex key

TabTilt

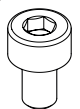


1 x module

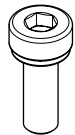
TabTilt Portrait/Landscape



1 x module



4 x M3/5mm screws (black)



2 x M3/8mm screws



4 x washers for M3

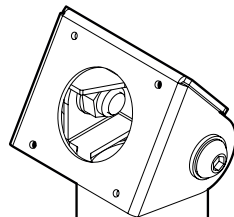


Use **only** these screws/washers to mount on TabTilt Portrait/Landscape!

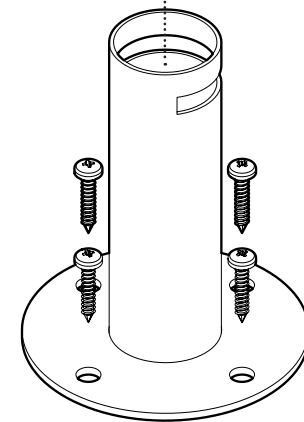
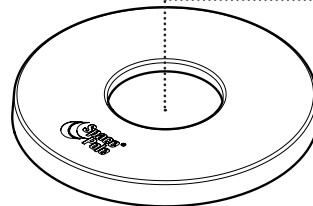
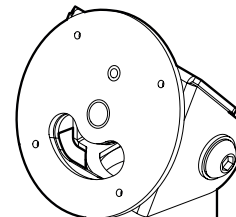
Standard Solutions

Pole + TabTilt or TabTilt Portrait/Landscape

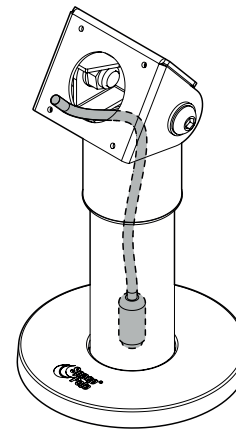
TabTilt



TabTilt Portrait/Landscape

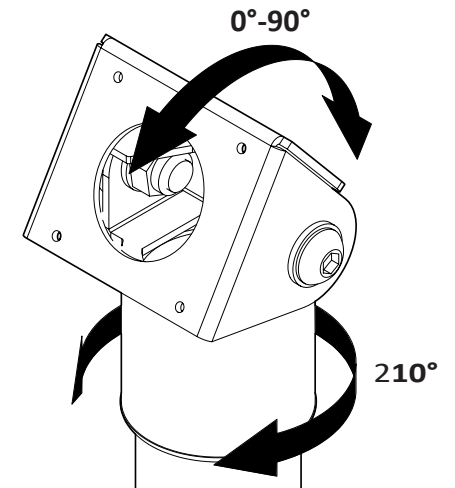


Cable management

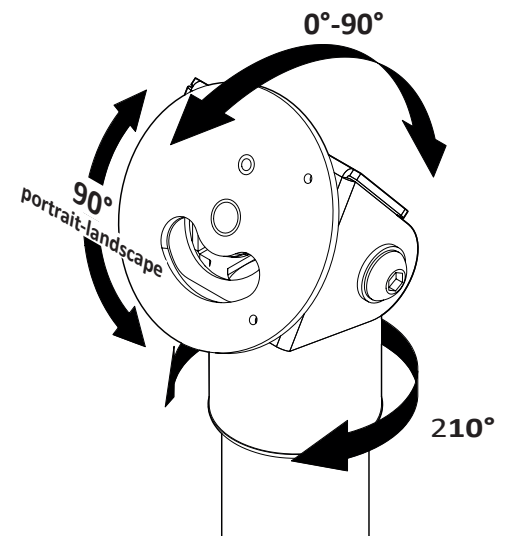


Movement range

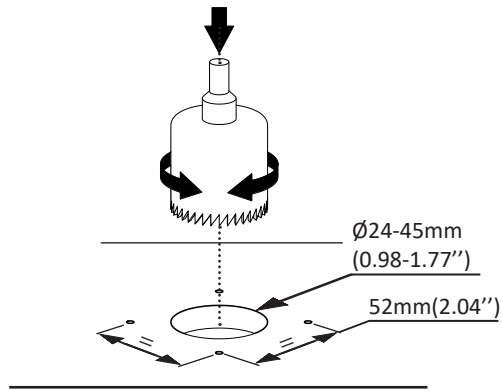
TabTilt



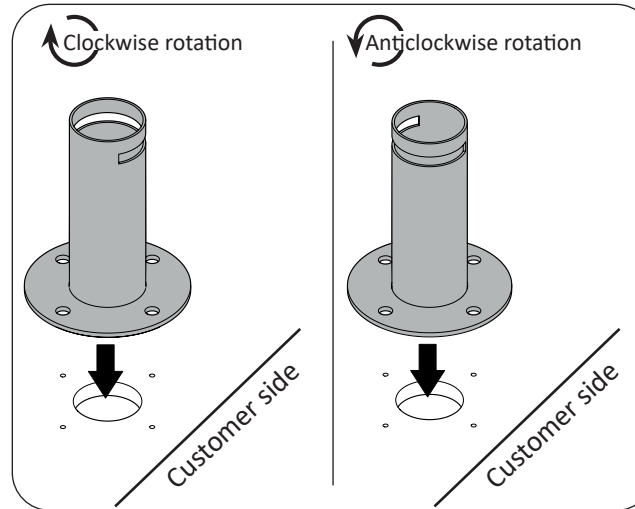
TabTilt Portrait/Landscape



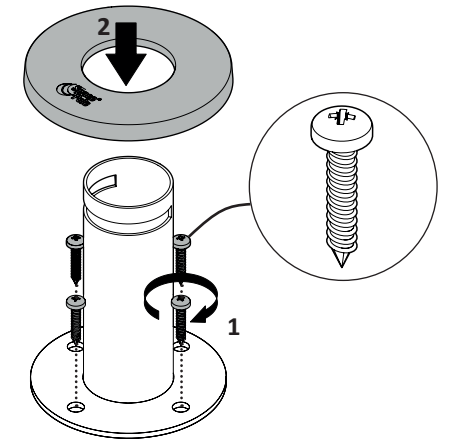
1 Drilling the mounting holes



2 Pole orientation

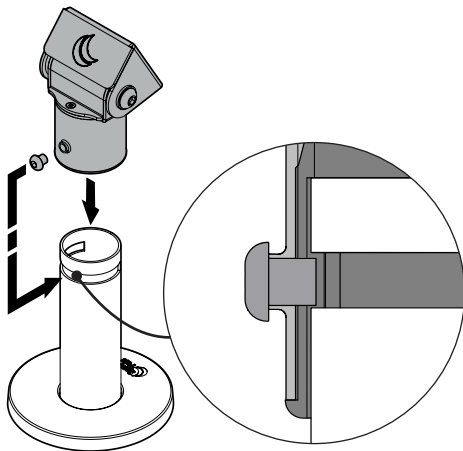


3 Screws and flange cover



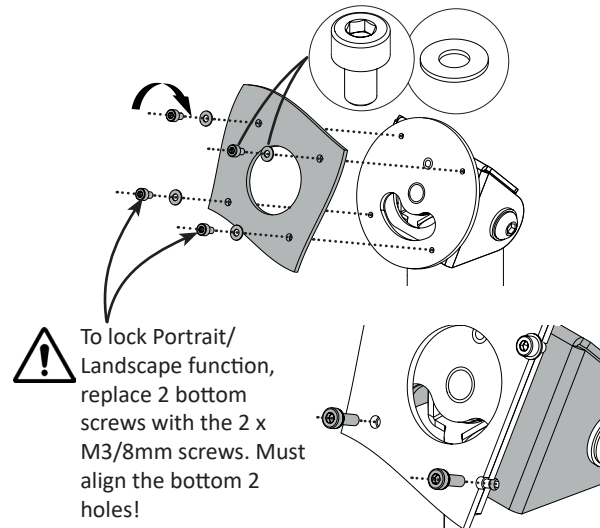
4 Mounting TabTilt* on pole

* TabTilt and TabTilt Portrait/Landscape are mounted the same way. Only TabTilt is shown.



5 Mounting on TabTilt Portrait/Landscape

⚠ For TiltTab Portrait/Landscape use only the 4 screws and washers provided.



6 Mounting on TabTilt

⚠ Fixings **not** included with TabTilt. See Parts List.

